

COMPACT RO SYSTEM

4 STAGES

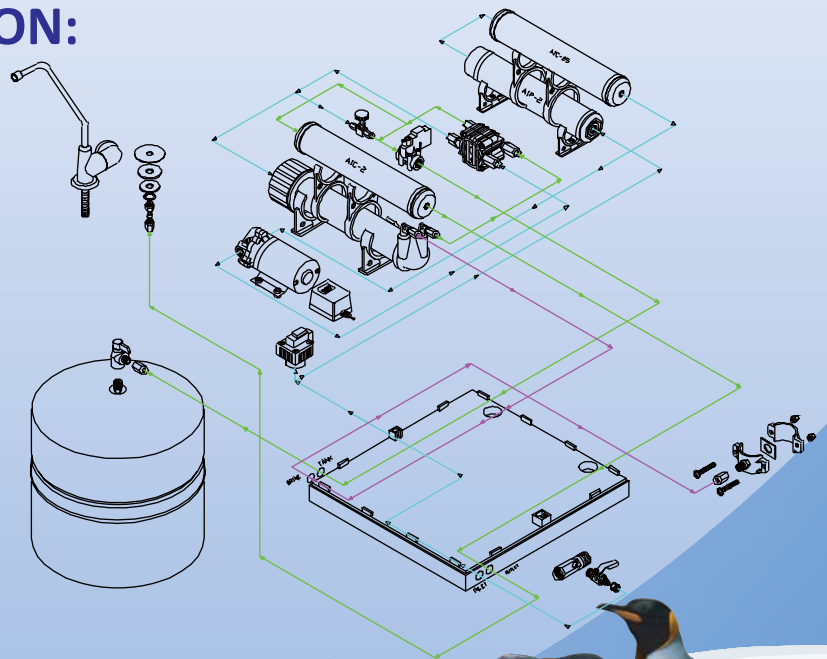


A VH-R04P

**COMPACT & UNIQUE DESIGN!
HIGH EFFICIENCY, EASY INSTALLATION**

MAIN PARTS INTRODUCTION:

- FWC1: FEED WATER CONNECTOR
- IN-LINE FILTER
 - AIP-2: 2" DIA SEDIMENT FILTER
 - AIC-2: 2" DIA GAC FILTER (NSF)
 - AIC-25: 2.5" DIA GAC FILTER (NSF)
- PM6689-50GPD: 50GPD PUMP
- TR-24: 24V CE TRANSFORMER
- EFFICIENCY RO MEMBRANE
- SWDWS: FLOW RESTRICTOR
- A4-P: 3.6GAL NSF RO TANK
- ABVL-JC: TANK BALL VALVE
- DNCR-14: DRAIN CONNECTOR 1/4"
- FCCRM: DELUXE FAUCET, CHROME



AQUAPRO
AQUAPRO INDUSTRIAL CO., LTD.

